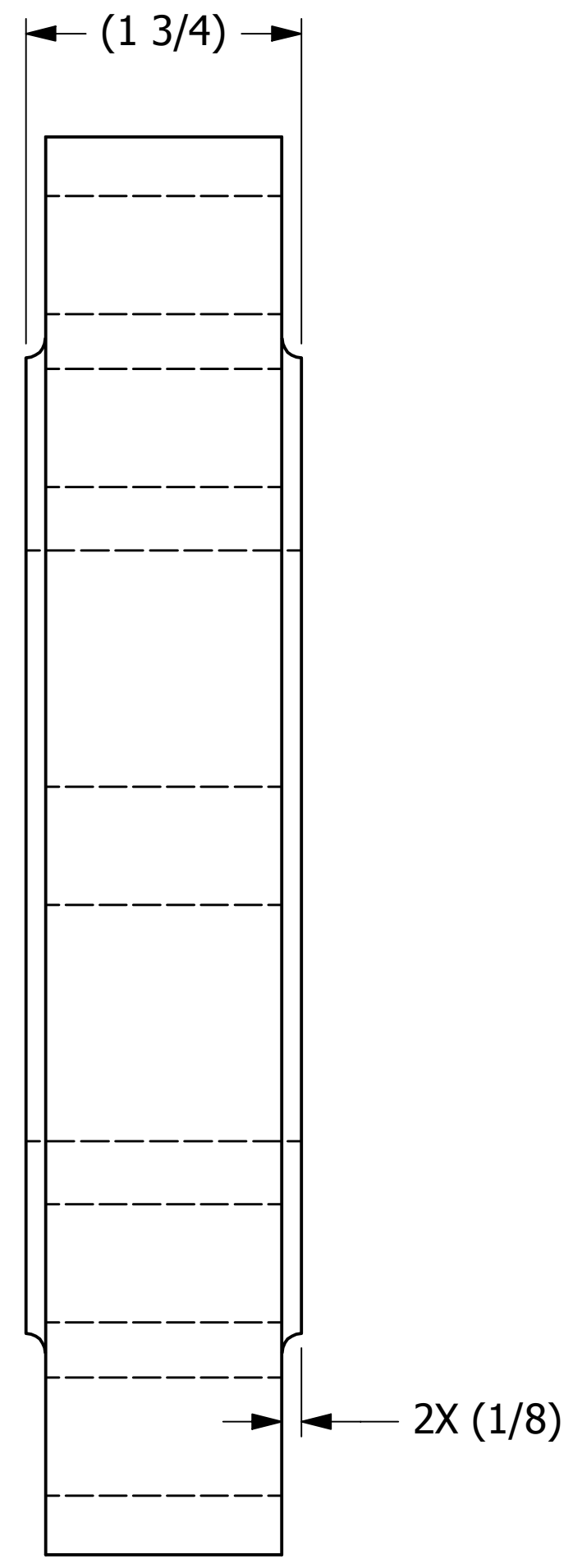
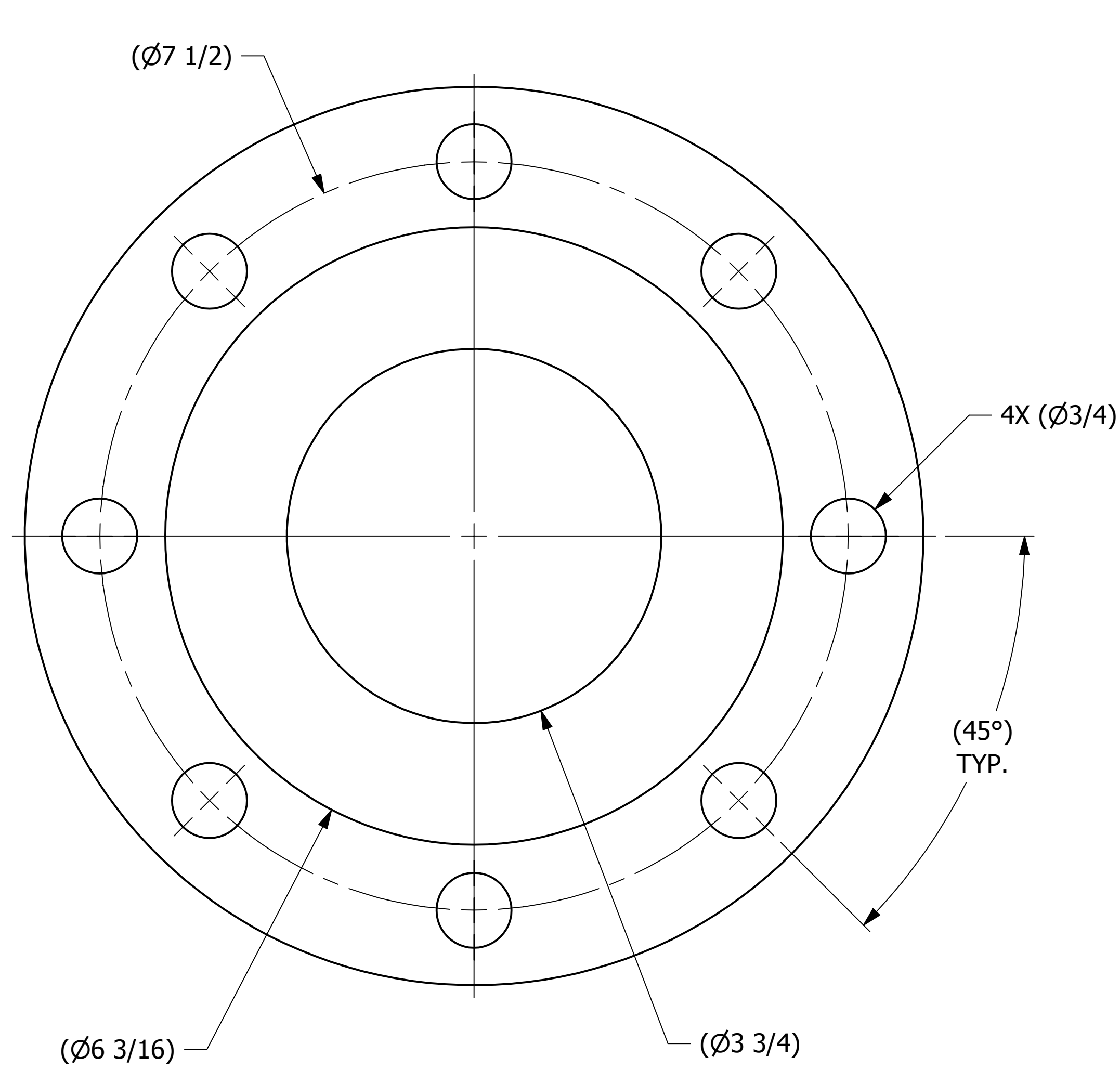


SALES DRAWING

SALES DRAWING



REV	BY	DATE	DESCRIPTION
C	TAK	4-28-14	REPLACED SHT2ACCL W/ HS4SGFLAB & UPDATED TO CURRENT DRAFTING STANDARD
B	WRB	10-12-05	UPDATED NOTES
A	ACC	1-6-04	ADDED PART INTO THE SYSTEM

<small>UNLESS OTHERWISE SPECIFIED DIMENSIONAL TOLERANCES FRACTIONAL: ±1/16 X.XX: ±.03 X.XXX: ±.015 ANGLE: ±1° DEBURR ALL SHARP EDGES. ALL MACHINED SURFACES TO HAVE A 125 RMS FINISH UNLESS NOTED OTHERWISE.</small>	DRAWN BY:	ACC
	CHECKED BY:	
	PROTOTYPE BY:	ACC
	PROTOTYPE DATE:	1/6/2004
	APPROVED FOR PRODUCTION BY:	TAK
THIRD ANGLE PROJECTION	PRODUCTION DATE:	4/28/2014

SALCO PRODUCTS, INC.

PART NAME: **SIGHT GLASS FLANGE 4"**

MATERIAL: **ACRYLIC**

PROJECT #: **030708** SHEET #: **1 OF 1** SCALE: **1:1**

DRAWING #: **C18648** PART #: **HS4SGFLA**

THIS PRINT, PROPERTY OF SALCO PRODUCTS INC., CONTAINS PROPRIETARY INFORMATION AND MUST NOT BE COPIED, REPRODUCED, OR USED DETRIMENTALLY TO OUR INTEREST.